



## ***New Media Modular Plates (Unfurnished)***



The smooth modern lines of the Deco accessory plate will fit easily into traditional and contemporary designs alike.

Deco New Media modular plates produce a comprehensive yet flexible and user friendly 'system' which enables the installer to easily create topical media and power cabling solutions using any combination of our 25mm x 50mm or 50mm x 50mm media modules.

***New Media Modular Plates (Unfurnished)***

***Product Range***

**Finish Comparison**



Antique Brass (AB)



Polished Brass (BR)



Polished Chrome (CH)



Satin Chrome (SC)



Satin Brass (SB)



Black Nickel (BN)



Pearl Nickel (PN)



Stainless Steel (SS)



Georgian Cast Brass (GCBR)

V1.0

## New Media Modular Plates (Unfurnished)

### Product Range

#### New Media Modular Plates (Unfurnished)

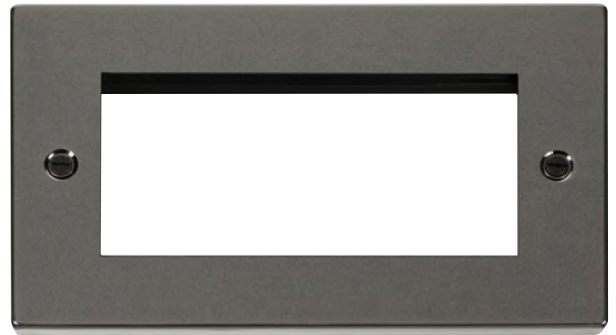
<b>VP**310</b>	1 Gang Plate Single Aperture
<b>VP**311</b>	1 Gang Plate Twin Aperture
<b>VP**312</b>	2 Gang Plate Quad Aperture



VPCH310WH

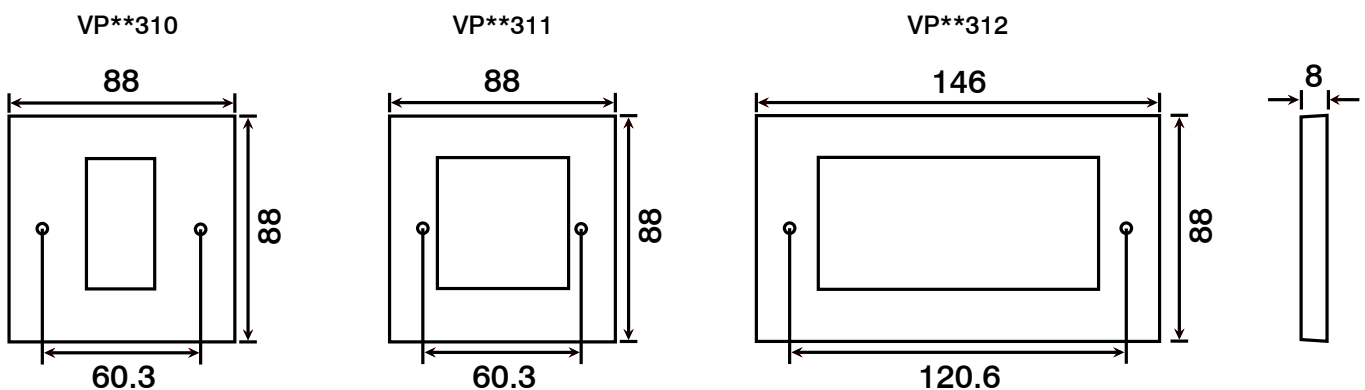


VPSC311BK



VPBN312BK

### Product Dimensional Drawings (mm)



## New Media Modular Plates (Unfurnished)

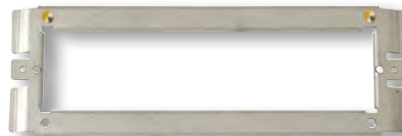
### Product Range

#### New Media Modular Switch Plates (Unfurnished)

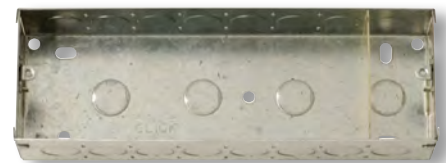
<b>MP508**</b>	Small Media Front Plate (8 Module)
<b>MP516**</b>	Large Media Front Plate (2 x 8 Module)
<b>MP510</b>	Media Plate Yoke (8 Module)
<b>MP520</b>	Media Plate 47mm Deep Back Box (8 Module)
<b>MP525</b>	Media Plate 47mm Deep Back Box (16 Module)
<b>MP606**##</b>	New Media Semi-Modular Plate 'Ingot' (C/W 4 DP Switched Sockets)



MP508SS



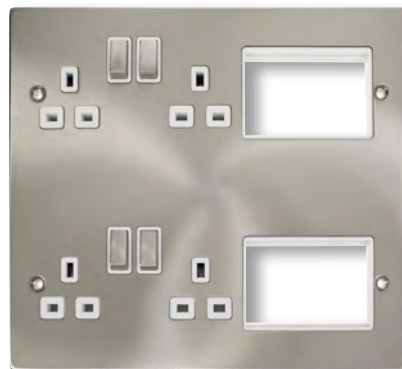
MP510



MP520



MP516CH



MP606SCWH

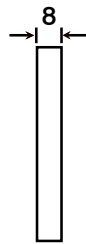
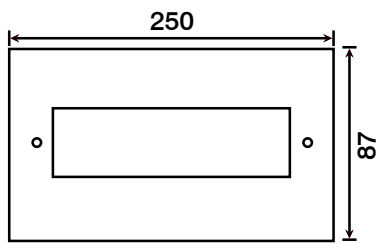


MP525

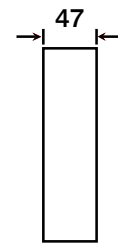
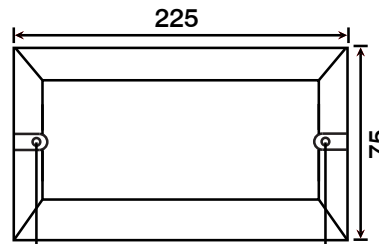
## New Media Modular Plates (Unfurnished)

### Product Dimensional Drawings (mm)

MP508\*\*

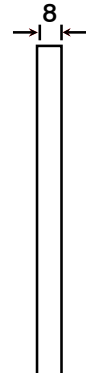
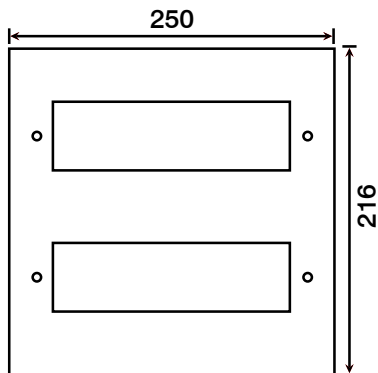


MP520

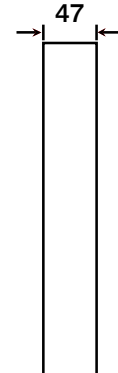
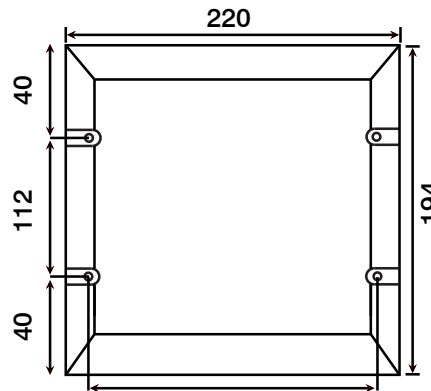


210

MP516\*\*

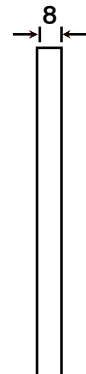
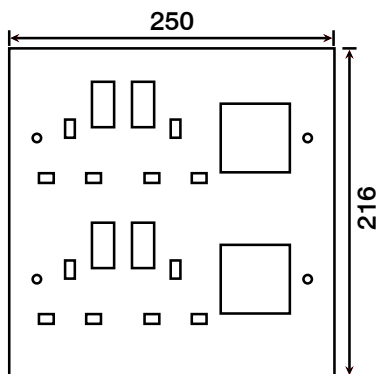


MP525

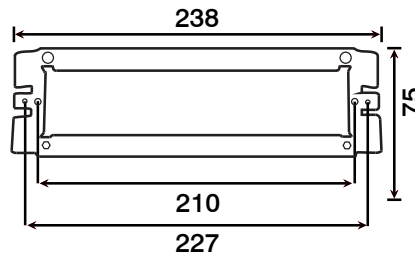


210

MP606\*\*



MP510



210  
227

## New Media Modular Plates (Unfurnished)

### Technical Specification

#### New Media Modular Plates (Unfurnished)

<b>Material Composition</b>	Front Plate: Stainless Steel
	Insert: Urea
	Earth Terminal: Brass
	Earth Strap: Mild Steel
	MP510 Media Plate Yoke: Galvanised Steel
	Back Boxes: Galvanised Steel
<b>Cable Size</b>	Dependent on modules fitted
<b>Back Box Depth</b>	Dependent on modules fitted
<b>Modular</b>	Yes
<b>Warranty</b>	10 Years
<b>IP Rating</b>	IP20
<b>Operational Temperature</b>	-5° to +40°C
<b>Standards</b>	BS 5733 : 2010 + A1 : 2014
	BS 1363-2: 1995 + A4: 2012

### Additional Information

Ensure that the mains supply is isolated before commencing installation and refer to the circuit diagram with the relevant product.

Bare earth cables must always be covered with appropriate sleeving and wired to the earth terminal.

MP508 requires MP510 Media Plate Yoke. These plates are designed to be used with specified back box MP520.

MP516 requires (2x) MP510 Media Plate Yokes. These plates are designed to be used with specified back box MP525.

MP606 plates are designed to be used with specified backbox MP525. The MP606 is supplied with 4 x 13A DP switched sockets and will allow 3 single modules to be inserted on both top and bottom of plate.

Interchangeable with modules in the New Media system.





## DECLARATION OF CONFORMITY

1. *Issuer Name* Scolmore International Limited
2. *Issuer Address* 1 Scolmore Park, Landsberg,  
Lichfield Road Industrial Estate,  
Tamworth, Staffordshire, B79 7XB
3. *Object(s) of Declaration* Deco Range
  - a. *Group* New Media Modular Plates (Unfurnished)
  - b. *Model No.* VP-310, VP-311, VP-312, MP508, MP516, MP606
4. *The object of the declaration described above is in conformity with the requirements of the following Legislations:*
5. *All products contained within the aforementioned comply with the relevant standards and requirements listed below.*

BS 5733 : 2010 + A1 : 2014

6. *I hereby declare that the equipment named above has been designed to comply with the relevant sections of the above referenced specifications. The unit complies with all applicable Essential Requirements of the Directives.*

*In conjunction with the above all manufacture and process controls are in accordance with ISO 9001:2008*

Signed, for and on behalf of: Scolmore International Limited

Steven Bettson BSc - Senior Technical Support Engineer

**CE 15**